



## Highlights at a Glance:

### Cross OS upgrade to Windows® CE OS (optional, requires purchase of Microsoft license/label)

- ✔ Cross OS Upgrade means that this platform supports interchangeable Windows® CE and Linux-based Operating Systems, simplifying purchase, reducing costs and providing utmost flexibility on the fly for accessing any server-based/virtualized/cloud infrastructure

### Strong Performance:

- ✔ Strong performance devices supporting latest Citrix® HDX features
- ✔ Outstanding In-session Performance, including video and sound

### Powerful Multimedia Capabilities:

- ✔ Powerful multimedia with Chip PC® video redirection(ICA/RDP)
- ✔ Highest, demonstrated local video performance
- ✔ Powerful Linux MPlayer supporting a wide range of video formats

### Flexible, Linux-based OS:

- ✔ ICA 11 with Citrix® HDX Plug-n-Play (USB redirection)
- ✔ Cost-effectiveness and security advantages of ultra thin devices
- ✔ Flexible 3rd party application support
- ✔ Data integrity & security, virus-immune, no security patches required

### Value-Added Management:

- ✔ Fully managed via Policy-based, value-added Xcalibur Global management suite
- ✔ Allows login to Active Directory domain from Linux-based devices
- ✔ Manage devices in any environment (LAN, WAN, Remote site)

### Green Devices:

- ✔ Lowest power consumption, only 3W power
- ✔ Best power/performance ratio
- ✔ Smallest form-factor assures minimum carbon footprint and maximum recycling potential
- ✔ Power by monitor option with Chip PC USB power cable

## Features at a Glance:

- ✔ Miniature, Portable Form Factor
- ✔ RMI 1250 RISC Processor, 528 MHz, including local multimedia acceleration
- ✔ 256 MB Flash/128 MB RAM DDR2
- ✔ 4 x USB 2.0 ports, DVI-D Video, Audio-In/Out
- ✔ Resolutions: up to 1600x1200px @ 64K (16 bit) colors

## Plug PC LXP 2310

Simple, efficient, scalable - this is not your old PC. The new **Plug PC LXP 2310** from Chip PC ushers in a new era that will take the virtual desktop and thin client beyond the familiar desktop experience to the superior!

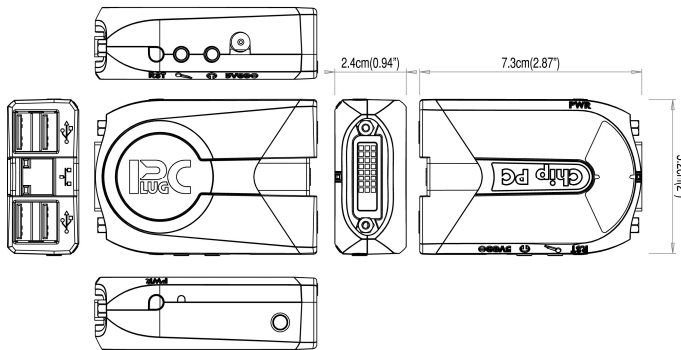
The **Plug PC LXP 2310** supports powerful multimedia with Chip PC video redirection (ICA/RDP), flexible 3rd party application integration and Citrix® HDX Plug-n-Play (USB redirection). The HDX Plug-n-Play offers simple access to peripherals and other local resources (USB, multi-monitor, printers, and more) in a virtual application environment as well as local device resources. The **Plug PC LXP 2310** unparalleled in-session performance offers integrated Video-over-ICA and Video-over-RDP capabilities, where the in-session video is redirected to be run locally. Such redirection contributes greatly to highest video performance levels.

The **Plug PC LXP 2310** draws as low as 3 watts of power at maximum load featuring on-board multimedia acceleration; with its design centered on ease-of-use it provides seamless integration into cloud, virtualization and server-based computing environments.

**Plug PC LXP 2310** is remotely managed by the industry-leading management and monitoring solution from Chip PC – the **Xcalibur Global**, featuring management of Linux-based devices in a Microsoft Policy-based, Active Directory environment. Xcalibur Global provides complete, centralized management and monitoring of thousands of devices from the data center; It offers ultimate manageability, monitoring and scalability from small, medium install bases to the richest, largest, most complex cloud, virtual and server-based environments.

The **Plug PC LXP 2310** is a splendid combination of contrasts as a desktop appliance smaller than a pack of cards yet very powerful; providing full function multimedia video performance in a 3 watt ultra green platform of only 6 cubic inch in size.





**Product Specifications Plug PC LXP 2310**

CPU	<ul style="list-style-type: none"> <li>RMI Au 1250, 528 MHz RISC, equivalent to x86 1.8 GHz</li> </ul>
Memory	<ul style="list-style-type: none"> <li>128 MB DDR2</li> </ul>
Mass Storage	<ul style="list-style-type: none"> <li>256 MB Disk-On-Chip with FFS</li> <li>10 years data retention</li> </ul>
Display Support	<ul style="list-style-type: none"> <li>Digital video DVI-D connector</li> </ul>
Resolutions	<ul style="list-style-type: none"> <li>Up to 1600x1200 Pixels @ 64k (16 bit)</li> </ul>
Video Player	<ul style="list-style-type: none"> <li>DivX HD CODEC (hardware accelerated)</li> <li>MPEG4 (hardware accelerated)</li> </ul>
Audio Support	<ul style="list-style-type: none"> <li>Stereo Audio Output - 3 mm (1/8 inch) Audio-Out Jack; 16-bit Stereo</li> <li>Microphone Input - 3 mm (1/8 inch) Audio-In Jack</li> <li>Software volume / mute control</li> </ul>
Input/Output	<ul style="list-style-type: none"> <li>4 x USB 2.0 ports</li> </ul>
Operating System	<ul style="list-style-type: none"> <li>Linux-based kernel</li> </ul>
Firmware	<ul style="list-style-type: none"> <li>ICA 11 with Citrix® HDX Plug-n-Play (USB redirection)</li> <li>RDP (RDesktop 1.6)</li> <li>MPlayer</li> <li>X-Windows 7.2 server</li> </ul>
Network	<ul style="list-style-type: none"> <li>10/100 Fast Ethernet, twisted pair (RJ-45) with Auto-negotiate TCP/IP with DNS and DHCP</li> <li>Wake On LAN support</li> </ul>
Warranty	<ul style="list-style-type: none"> <li>1 year automatic Warranty, additional 2 years pending on product registration <a href="http://www.chippc.com">http://www.chippc.com</a></li> <li>Extended Warranty for years 4 &amp; 5, optional, to be obtained during first year after purchase</li> </ul>

**Product Specifications Plug PC LXP 2310**

Power	<ul style="list-style-type: none"> <li>• Device input: 5V DC 2A max.</li> <li>• Normal power consumption:3W</li> <li>• Power consumption (sleep mode): 0.35W</li> <li>• Wall-mount power supply input: Universal 90 – 240V AC 50-60 Hz input (included)</li> <li>• Optional USB power (no AC/DC is required)</li> </ul>
Physical Characteristics	<ul style="list-style-type: none"> <li>• Dimensions: 5 (W) x7.7 (D) x 2.4 (H) cm / 2 (W) x 3 (D) x 0.9 (H) inch</li> <li>• Device weight: 62 gr [2 oz]</li> <li>• Shipping weight: 0.3 Kg [0.7 lbs]</li> </ul>
Environmental	<ul style="list-style-type: none"> <li>• Temperature range: Operating - 32°F to 104°F (0°C to 40°C)</li> <li>• Storage: -46°F to 163°F (-20°C to 70°C)</li> <li>• Humidity: Operating - 20 to 80% non condensing; Storage - 0 to 90% non condensing</li> <li>• Altitude: 0 to 42,000 ft</li> </ul>
Regulatory Compliance	<ul style="list-style-type: none"> <li>• Safety: UL 1950, cUL, EN/IEC60950-1</li> <li>• EMI/EMC: FCC Class B, CE Mark, EN61000-6-3, EN61000-6-1, VCCI</li> <li>• EPA ENERGY STAR</li> </ul>
Optional Software Plug-Ins (for an additional cost)	<ul style="list-style-type: none"> <li>• Visit <a href="http://www.chippc.com">www.chippc.com</a> to download /purchase</li> </ul>
Optional Accessories (for an additional cost)	<ul style="list-style-type: none"> <li>• Visit <a href="http://www.chippc.com">www.chippc.com</a> for an updated list</li> </ul>
Enclosure Color	Black Metalized

- Monitor, keyboard and mouse - to be purchased separately
- Xcalibur Global & Plugin licenses - to be purchased separately
- Above features are supported in latest firmware image version released
- Actual display support is dependent on display hardware and cable quality; some of the resolutions and display modes described above may not be supported by certain displays or cables
- Specifications are subjected to change without prior notice



## The Company

Since its inception, Chip PC has been a world leader in server-centric-computing. A public company with branches in Europe and the U.S., Chip PC develops and manufactures, top notch, thin client technology and management systems to integrate seamlessly with any cloud, server-based or virtualization environment.

Chip PC's team of dedicated researchers and developers have combined their years of experience to yield novel ideas and deliver an outstandingly innovative family of thin client products.

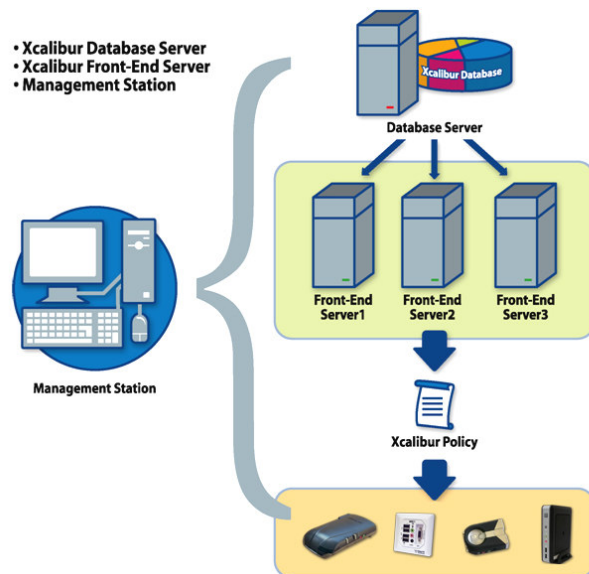
With the award winning Xcalibur Global management system and innovative thin client units, Chip PC maintains a leading market position with its end-to-end solution.



## The End-to-End Solution

Chip PC is aimed at solving the thorny problem of combining intelligent thin client networking with sophisticated management and control. Chip PC's unique solution constructs a ground-up thin client network from the revolutionary Jack PC that fits into a standard wall jack, through the Xtreme PC Series, state-of-the art, powerful, desktop units, the miniature Plug PCs and powerful EX PCs.

These revolutionarily designed, units are comprehensively managed by Chip PC's Xcalibur Global. The Xcalibur Global Management System simulates an Active Directory environment with intelligent usage of its management principles of policies and tools and offers flexible management that applies down to the specific needs of every particular client unit or user.



### Chip PC HQ

Tel: +972 (0) 4 8501121  
e-mail: info@chippc.com

### Chip PC Inc US

Tel: +1 (0) 866-674-1678  
e-mail: info.us@chippc.com

© Chip PC Technologies, all rights reserved.  
Images for demonstration purposes only | 0110

### Chip PC UK

Tel: +44 (0) 870 606 1007  
e-mail: info@chippc.co.uk

### Chip PC France

Tel: +33 (0) 611 4207 84  
e-mail: info.fr@chippc.com

### Chip PC Germany

Tel: +49 (0)201 4389 05 - 0  
e-mail: info@chippc.de